

# Lyftman knuckle jib crane for vacuum lifter



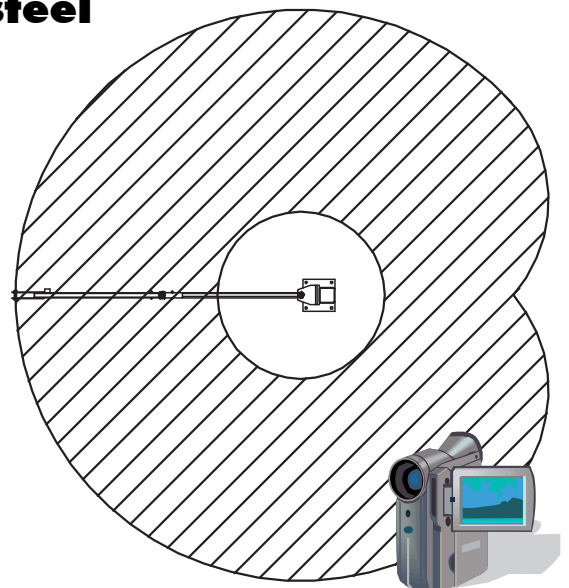
## Knuckle jib crane in stainless steel

With limited headroom, this is a superb solution; 360 degree working range around the column and air delivery inside the profile to keep the amount of air tube at a minimum and out of the way.

The knuckle jib in this project is a stainless steel version for a maximum capacity of 50 kg (VacuMove VM140 bag lifter).

The suspension point for the vacuum lifter is placed at 2165 mm above ground.

This jib can be dimensioned up to max 60 kg.



See it live on [www.tawi.us](http://www.tawi.us)  
"SEARCH"